

**Serie | 4, Washing machine, front loader, 7 kg, 1400 rpm
WAN28081GB**



Automatic washing machine with EcoSilence Drive™: quiet operation and durability that you can rely on.

- **EcoSilence Drive™:** quiet and energy-efficient drive, with a 10-year warranty.
- **SpeedPerfect:** perfectly clean in up to 65% less time*.
- Easy-to-use LED display with touch control and many additional functions like start delay and remaining time.
- **Reload function:** forgot an item? Add it easily to the wash.
- **AntiVibration™ Design:** extremely stable and especially quiet thanks to special vibration protection.

Technical Data

Energy Efficiency Class: D

Weighted energy consumption in kWh per 100 washing cycles of eco 40-60 programme: 69 kWh

Maximum capacity in kg: 7.0 kg

The water consumption of the eco programme in liters per cycle: 45 l

Duration of eco 40-60 programme in hours and mins at rated capacity: 3:20 h

Spin-drying efficiency class of eco 40-60 programme: B

Airborne acoustical noise emission class: B

Airborne acoustical noise emissions : 75 dB(A) re 1 pW

Construction type: Free-standing

Height of removable worktop: -2 mm

Dimensions of the product: 848 x 598 x 550 mm

Net weight: 68.2 kg

Connection rating: 2300 W

Fuse protection: 10 A

Voltage: 220-240 V

Frequency: 50 Hz

Approval certificates: CE, E17D UKCA marking, VDE

Length of electrical supply cord: 210 cm

Door hinge: Left

Wheels: No

EAN code: 4242005221868

Installation type: Free-standing

Optional accessories

WMZ2200 : Floor securing component

WMZ2381 : Extension for cold water inlet /Aquastop



4 242005 221868

**Serie | 4, Washing machine, front loader, 7 kg, 1400 rpm
WAN28081GB**

Automatic washing machine with EcoSilence Drive™: quiet operation and durability that you can rely on.

Performance

- Energy Efficiency Class¹: D
- Energy² / Water³: 69 kWh / 45 litres
- Load capacity: 1 - 7 kg
- Programme duration⁴: 3:20 h:min
- Spin drying efficiency class: B
- Spin speed^{**}: 400 - 1400 rpm
- Noise level: 75 dB (A) re 1 pW
- Noise efficiency class: B

Programmes/functions

- Touch control buttons: Ready in, SpeedPerfect, start/pause with reload function, Spin speed reduction
- Special programmes: Rinse, Mixed Load, Super Quick 15/30, Handwash/Wool, Delicates 30°C
- Safeguard monitoring system adjusts load distribution and programme settings to protect clothes

Key features

- Fully electronic control dial for all wash and special programmes
- SpeedPerfect: perfectly clean in up to 65% less time.
- Reload function: Flexibility to add or remove laundry items of any size even after start of the wash cycle.
- EcoSilence drive with 10 year warranty
- AntiVibration Design - for more stability and quietness

Additional features

- Large display for programme progress indication, spin speed, remaining time, 24 hour end time delay and load recommendation.
- 3D AquaSpa wash system with cascade for faster water penetration
- Aqua Protection
- Foam detection system
- Divider for Liquid Detergent
- Child lock
- Buzzer to indicate the end of cycle

Technical Information

- Slide-under installation
- Drum volume: 55 litres
- Large silver-white door with 180° opening and 30 cm porthole
- Dimensions (H X W X D): 84.8 x 59.8 x 60 cm

¹ Scale of Energy Efficiency Classes from A to G

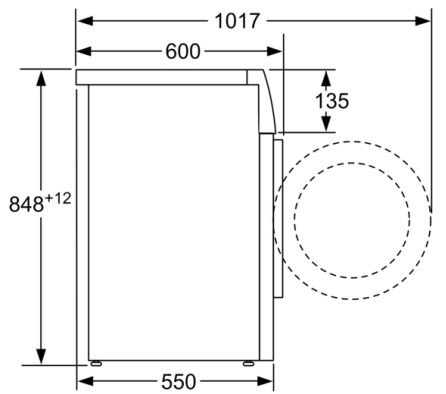
² Energy consumption in kWh per 100 cycles (in programme Eco 40-60)

³ Weighted water consumption in litres per cycle (in programme Eco 40-60)

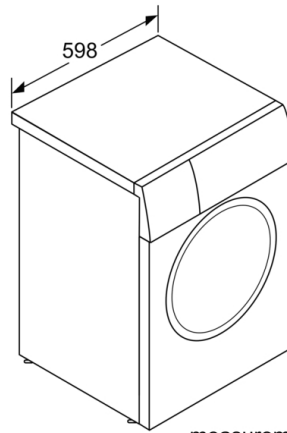
⁴ Duration of Eco 40-60 programme

^{**} Values are rounded.

**Serie | 4, Washing machine, front loader, 7
kg, 1400 rpm
WAN28081GB**



measurements in mm



measurements in mm